

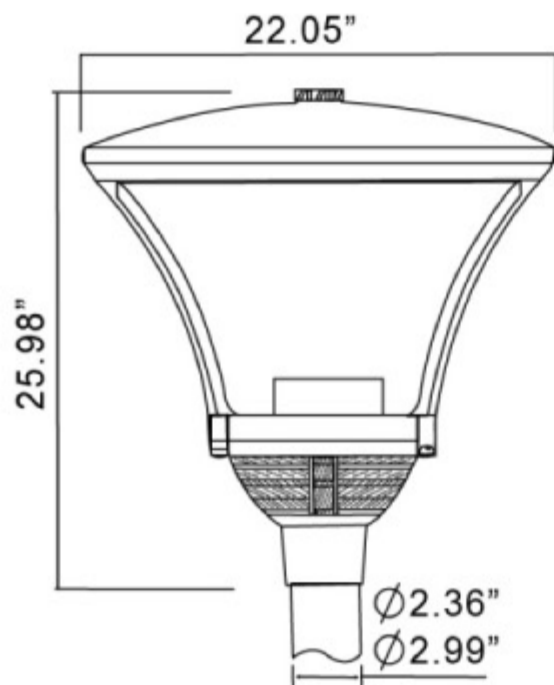


IMPAL5

Product Specifications

- Housing:** Die-cast aluminum base, four stainless steel support bars.
- Lens:** White painted inner surface, Silicon gasket is used for sealing PC diffuser.
- Mounting:** Post Top Mounting
- Electrical:** AC 90-277v
- Wattage:** 35W Replacement of traditional light source 70W
- Finish:** BLACK, White painted inner surface, Silicon gasket is used for sealing PC diffuser.
- Certification:** cETLus, IP66, CE
- System Light Efficiency:** > 100 lm/W AC90-277V
- IP Grade:** IP65
- Color Temperature:** 4000K、 5000K、 6000K
- Applicable places:** Squares,avenues,pedestrian street, parking lots etc.

Dimensional Drawings:



Ordering information

Example:IMPAL5-26-LED-35-U-40-BK

Series	Source	Wattage	Voltage	CCT	Finish	Options
IMPAL5	LED=LED	35=35W	U=AC90-277V	40=4000K 50=5000K 60=6000K	BK=(Black)	
Size 26=22x26 in						

*Consult Factory regarding availability.

